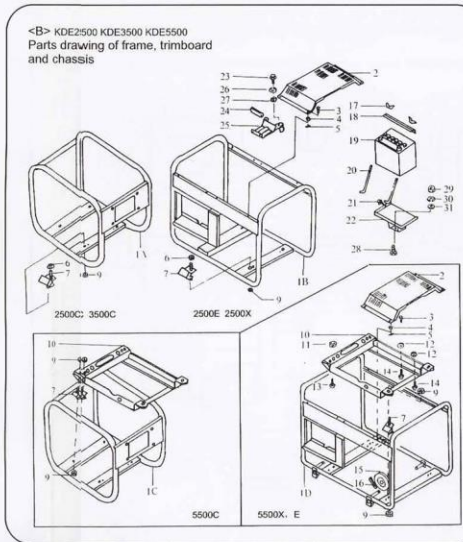
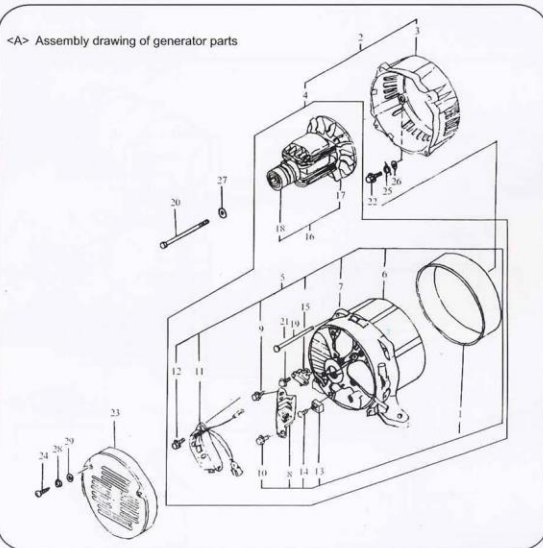


KAMA WUXI WORLDBEST KAMA POWER CO.,LTD.

Parts Catalog of KAMA DE Single Phase Diesel Generator Set

Model:

KDE2500C	KDE2500X	KDE2500E
KDE3500C	KDE3500X	KDE3500E
KDE5500C	KDE5500X	KDE5500E
	KDE6500X	KDE6500E

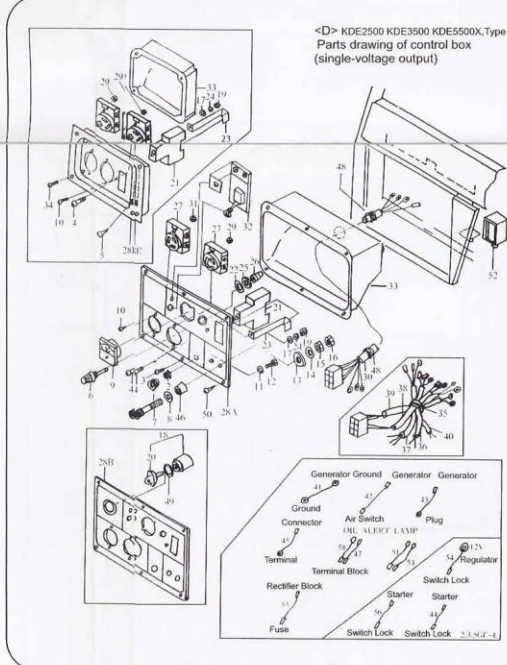
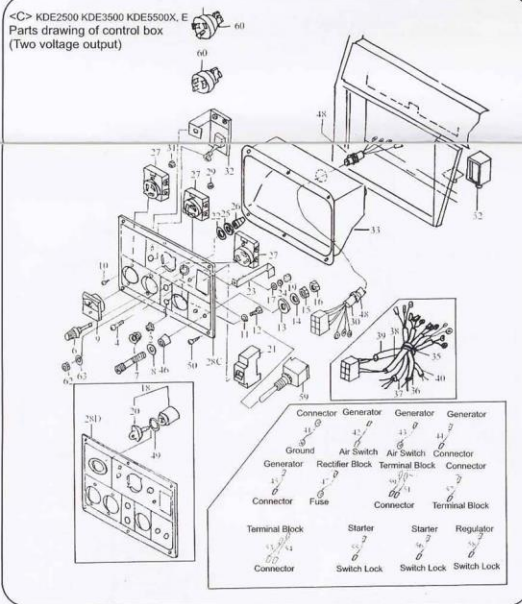


A. Parts list of generator

- Guard Plate of Generator
- Generator
- Front Cover
- Assy. of Stator and Rotor
- Stator Assy
- Stator Iron Core With Winding
- Rear Cover
- Four-pole Connection Block
- Hexagon Self-tapping Locking Screw M5 x 16
- Excitation AVR
- Hexagon Self-tapping Locking Screw M5 x 15
- Greze Rectifier
- Small Cross Panheaded Screw M5 x 20
- Carbon Brush Assy
- Rotor Assy
- Fan
- Bearing
- Hexagon Flanged Screw M6 x 120
- Cross-axle Hexagon Screw M10 x 214
- Hexagon Self-tapping Locking Screw M5 x 15
- Hexagonal Bolt M5 x 20
- Rear Mantle
- Hexagon Self-tapping Locking Screw M5 x 15
- Spring Washer 8
- Washer 8
- Cross-axle Screw Gasket
- Spring Washer 5
- Washer 5

B. Parts list of frame, trimboard and chassis

- 2500C 3500C Frame Weldment
- 2500E 2500E 3500X 3500E Frame Weldment
- 5500C Frame Weldment
- 5500E 5500X Frame Weldment
- Trim Board Weldment Assy
- Hexagon Flanged Screw M8 x 20
- Rubber Vitrinsulator
- Hexagon Nut M6
- Nut M10
- Shock Block
- Hexagonal Nut M10
- Chassis
- Nut M10
- Hexagonal Nut M10
- Hexagonal Bolt M10 x 40
- Hexagonal Bolt M10 x 40
- Foot Wheel
- Cotter Pin
- Butterfly Nut M6
- Accumulator Pressure Plate
- Accumulator
- Accumulator Supporting Rfid
- Cross Panheaded Screw M6 x 20
- Accumulator Supporter Weldment
- Hexagonal Bolt M8 x 16
- Shock Block of Engine Auxiliary Supporter
- Engine Auxiliary Supporter
- Spring Washer 8
- Washer 8
- Hexagonal Bolt M10 x 16
- Nut M10
- Washer 10

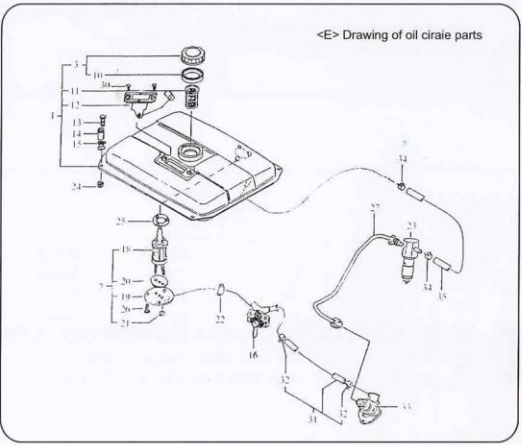


C,D Parts list of control box

- Grounding Nut
- Hexagon Flanged Screw M5
- Cross Panheaded Screw M5 x 20
- Cross Panheaded Bolt M4 x 15
- Cross Panheaded Bolt M4 x 10
- Fuse Box
- Terminal Block
- Plastic Washer
- Voltmeter
- Button-headed Bolt M5 x 35
- Spring Washer 5
- Hexagonal Bolt M5 x 25
- Plastic Washer 5
- Flat Washer 5
- Spring Washer 5
- Hexagonal Nut M5
- Flat Washer 5
- Switch Lock
- Hexagonal Nut M5
- Switch Key
- Air Breaker
- Plastic Washer
- Fixing Board of Air Breaker
- Spring Washer 5
- Hexagonal Nut
- Plastic Basement of Fuse
- Tipod Socket
- Meter Panel (A: Type H, Single Voltage; B: Type E, Single Voltage; C: Type H, Two Voltage; D: Type E, Two Voltage)
- Nut M
- Rubber Sheath
- Nut M
- Oil Alert Lamp Assy (Incl Control Panel)
- Rear Cover of Meter Box
- Cross Panheaded Screw M5 x 20
- Rubber Sheath
- Rubber Sheath
- Rubber Sheath
- Rubber Sheath
- Rubber Sheath
- Rubber Sheath
- Rubber Sheath
- Rubber Sheath
- Rubber Sheath
- Rubber Sheath
- 41-45 Harness Diagram
- 46-48 Harness Diagram
- 47 Harness Diagram
- 53-59 Bunch Drawing
- Cross Panheaded Screw M6 x 20
- Electromagnet
- Throttle Lock Washer
- Rubber Fastening Sheath
- Plastic Screw of Terminal Block
- Voltage transfer Switch
- Tipod Plug
- Flat Washer
- Hexagonal Nut

E. Parts List of Oil Circuit System

- Oil Tank
- Oil Tank Cover
- Seal Ring
- Oiling Filter Screen
- Oil Level Indicator Assy
- Hexagon Flanged Screw
- Steel Pin Sheath
- Vitrinsulator
- Oil tank Switch Assy
- Diesel Filter
- Fair Element
- Switch Splice Board
- Rubber Gasket
- Hexagon Flanged Nut M6
- Rubber Ring
- Nozzle
- Nut
- Rubber Asbestos Gasket
- Button-headed Screw Screw M6 x 12
- Screw M5 x 12
- Oil Supply Pipe
- Oil Supply Pipe Clip
- High-pressure Oil Pump Assy
- Oil Return Pipe Clip
- Oil Return Pipe



Note:
As the improvement of product this parts catalog may be somewhat different with current product.